

High Power PM Circulator (1064nm, 1030nm, 980nm)

Features:

Low Insertion Loss
 High Extinction Ratio and High Isolation
 High stability and reliability

Application:

Fiber Laser & Amplifier
 Fiber Optical Instrument

Specifications:

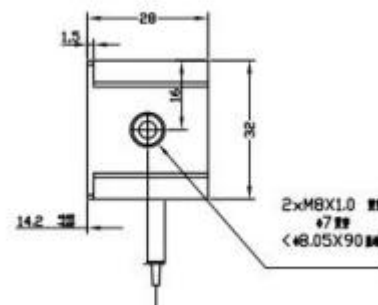
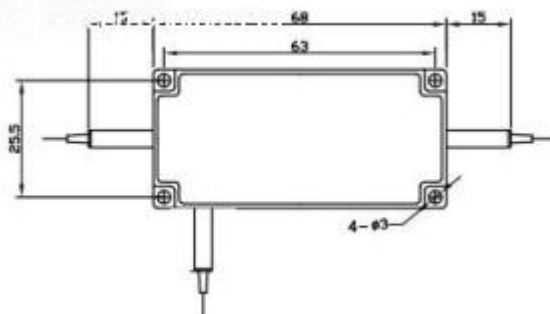
Specifications

Parameters	Unit	Value
Center Wavelength	nm	1064 or 1030 or 980
Operating Wavelength Range	nm	±5
Typ. Peak Isolation	dB	25
Max. Isolation at 23°C	dB	22
Typ. Insertion Loss at 23°C	dB	1.3
Max. Insertion Loss at 23°C	dB	1.5
Min. Extinction Ratio at 23°C,	dB	20
Min. Return Loss(Input/ Output)	dB	45
Min. Cross Talk	dB	45
Max. Average Optical Power	W	1, 3, 10W(Total)
Max. Peak Power for ns Pulse	kW	10
Max. Tensile Load	N	5
Fiber		PM980 or PM-GDF-10/125 DC
Package Dimension	mm	68x32x28
Operating Temperature	°C	+10~+50
Storage Temperature	°C	0~+60

*Above specifications are for devices without the connectors.

*For devices with connectors, IL will be 0.3dB higher, RL will be 5dB lower

Packing Dimensions:



High Power PM Circulator (1064nm, 1030nm, 980nm)

Ordering Information

HPMOC	Wavelength	Ports	Axis Alignment	Power	Fiber Type	Package	Pigtail Type	Length	Connector
	06=1064nm 03=1030nm 98=980nm	3=3 Ports	F=Fast Axis Blocked	1=1W 3=3W 5=5W A=10W	1=PM980 2=PLMA-GDF-10/125 S=Specified	1=68x32x28	1=900um loose tube	H=0.5m 8=0.8m 1=1.0m S=others	0=None 1=FC/UPC 2=FC/APC 3=SC/APC 4=SC/UPC 6=LC/PC